

Stainless Steel Lift Check Valves

Data Sheet



| Type | Connection | Size | Links to data below |
|-------|-------------------|--------------------------|-----------------------------|
| 05417 | Threaded | 10mm - 50mm / 1/4" - 2" | VIEW HERE → |
| 05414 | SE - BW | 10mm - 150mm / 3/8" - 6" | VIEW HERE → |
| 05414 | SE - BW | 200mm / 8" | VIEW HERE → |
| 05614 | Fire-safe SE - BW | 10mm - 150mm / 3/8" - 6" | VIEW HERE → |
| 05714 | CF3M SE - BW | 10mm - 150mm / 3/8" - 6" | VIEW HERE → |
| 05419 | Flanged ANSI 150 | 15mm - 150mm / 1/2" - 6" | VIEW HERE → |
| 05419 | Flanged ANSI 300 | 15mm - 150mm / 1/2" - 6" | VIEW HERE → |
| 05419 | Flanged PN 16-40 | 15mm - 150mm / 1/2" - 6" | VIEW HERE → |

Check Valves

Type 05417 - Check Valve



Cryogenic-Check Valves, PN50

Stainless steel body and cap
with spring, opening pressure ca. 0.1 bar
"cleaned and degreased for oxygen service"

Part No. 05417.X.0001

Female thread connection (G) acc. to ISO 228/1

Part No. 05417.X.0006

Female thread connection NPT acc. to ANSI B 1.20.1

Available options - on request only:

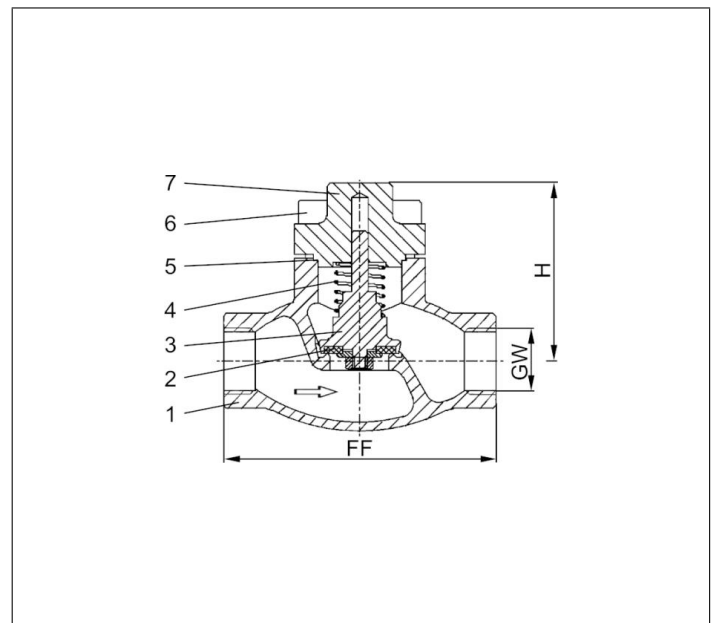
- Female thread connection (R) acc. to ISO 7-Rc



Applications:

Approved for air gases, vapours and cryogenic liquefied gases incl. LNG.
Working temperature: -196°C / -321°F (77K) up to +120°C / +248°F (393K)

| Materials | DIN EN | ASTM |
|-----------------|----------------------------|-------------------|
| 1 Body | 1.4308 | A 351 CF8 |
| 2 Valve seal | PTFE / Carbon filled (25%) | |
| 3 Disc | 1.4301 | A 276 Grade 304 |
| 4 Spring | 1.4571 | A 313 Grade 316Ti |
| 5 Bonnet gasket | PTFE | |
| 6 Bolts | 1.4301/A2 | A 194 B8 |
| 7 Cap | 1.4301 | A 276 Grade 304 |



| Type 05417 - Standard design | Technical data | | | | | | | | |
|------------------------------|-------------------|------|------|------|------|------|-------|-------|------|
| Nominal size | DN | 10 | 10 | 15 | 20 | 25 | 40 | 40 | 50 |
| Thread size | GW | 1/4 | 3/8 | 1/2 | 3/4 | 1 | 1-1/4 | 1-1/2 | 2 |
| Dimension code | .X. | 0200 | 0300 | 0400 | 0600 | 1000 | 1200 | 1400 | 2000 |
| Face-to-face dimension | FF | 70 | 70 | 85 | 100 | 115 | 130 | 130 | 155 |
| Height | H | 71 | 71 | 71 | 72 | 75 | 95 | 95 | 95 |
| Weight | ca. kg | 0.7 | 0.7 | 1.0 | 1.3 | 1.6 | 3.9 | 3.9 | 5.7 |
| Kvs-Value | m ³ /h | 1.6 | 2.2 | 4.3 | 6.7 | 11.5 | 20.6 | 22.6 | 37.1 |
| Cv-Value | gal/min | 1.9 | 2.6 | 5.0 | 7.8 | 13.4 | 23.9 | 26.3 | 43.2 |

Dimensions in mm. Leakage rates will be provided on request

Check Valves

Type 05414 - Check Valve



Cryogenic-Check Valves, PN50 (DN150=PN40)

Stainless steel body and cap
with spring, opening pressure ca. 0.1 bar
"cleaned and degreased for oxygen service"

Part No. 05414.X.000*

* Butt weld connection for stainless steel pipes acc. to ISO 1127 or ASTM A312

Part No. 05414.X.0004

Socket weld connection for stainless steel pipes acc. to ISO 1127 or ASTM A312

Available options - on request only:

- Welded stainless steel stubs acc. to ISO 1127 or ASTM A312 - length FF + 200mm
- Further pipe wall thicknesses

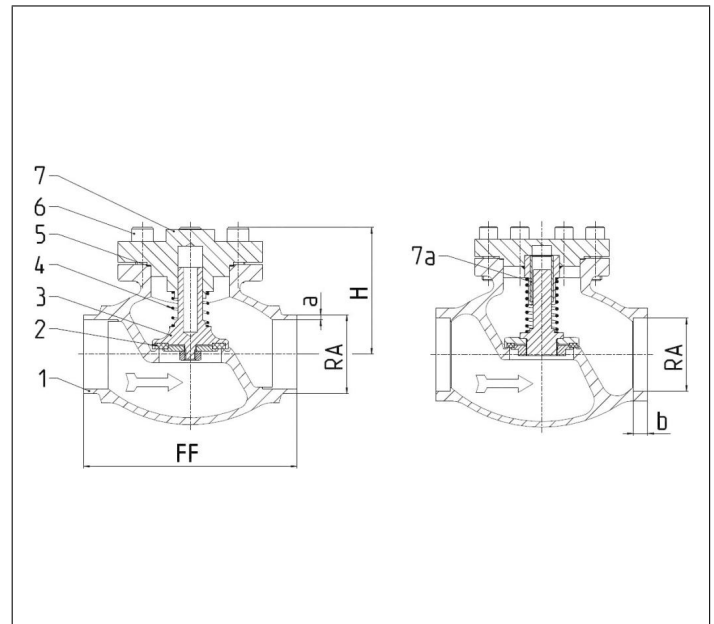


Applications:

Approved for air gases, vapours and cryogenic liquefied gases incl. LNG.

Working temperature: -196°C / -321°F (77K) up to +120°C / +248°F (393K)

| Materials | DIN EN | ASTM |
|-------------------------|----------------------------|-------------------|
| 1 Body | 1.4308 | A 351 CF8 |
| 2 Valve seal up to DN50 | PTFE / Carbon filled (25%) | |
| 2a Valve seal from DN65 | PTFE | |
| 3 Disc | 1.4301 | A 276 Grade 304 |
| 4 Spring | 1.4571 | A 313 Grade 316Ti |
| 5 Bonnet gasket | PTFE | |
| 6 Bolts | 1.4301/A2 | A 194 B8 |
| 7 Cap | 1.4301 | A 276 Grade 304 |
| 7a Bush from DN65 | PTFE | |



| Type 05414 - Standard design | Technical data | | | | | | | | | | | | | | |
|-------------------------------|-------------------|-------------------------------|-------|-------|-------|-------|------|-------|-------|-------|-------|-------|-------|-------|--|
| Nominal size | DN | 10 | 15 | 15 | 20 | 25 | 32 | 40 | 40 | 50 | 65 | 80 | 100 | 150 | |
| Dimension code | .X. | 1012 | 1517 | 1521 | 2026 | 2533 | 3238 | 4042 | 4048 | 5060 | 657x | 8088 | 0114 | 0168 | |
| Face-to-face dimension | FF | 70 | 85 | 85 | 100 | 115 | 115 | 130 | 130 | 155 | 205 | 245 | 280 | 400 | |
| Height | H | 71 | 71 | 71 | 72 | 75 | 87 | 95 | 95 | 95 | 125 | 150 | 185 | 215 | |
| Outside pipe-Ø ISO 1127 | RA | 12.0 | 17.2 | 21.3 | 26.9 | 33.7 | 38.0 | 42.4 | 48.3 | 60.3 | 76.1 | 88.9 | 114.3 | 168.3 | |
| Wall thickness pipe ISO 1127 | a | 1.0 | 1.6 | 2.0 | 2.0 | 2.0 | 2.0 | 2.0 | 2.0 | 2.0 | 2.9 | 3.2 | 6.0 | 7.1 | |
| Outside pipe-Ø ASTM A312 | RA | 13.72 | 17.15 | 21.34 | 26.67 | 33.40 | - | 42.16 | 48.26 | 60.33 | 73.03 | 88.90 | 114.3 | 168.3 | |
| Wall thickness pipe ASTM A312 | a | dimensions acc. to S10 or S40 | | | | | | | | | | | | | |
| Socket depth | b | 6 | 10 | 10 | 13 | 13 | - | 13 | 13 | 16 | 16 | 16 | 20 | 20 | |
| Weight | ca. kg | 0.7 | 0.95 | 1.0 | 1.3 | 1.6 | 2.4 | 3.9 | 3.9 | 5.7 | 9.6 | 14.6 | 20.0 | 51.0 | |
| Kvs-Value | m ³ /h | 1.6 | 3.8 | 4.3 | 6.7 | 11.5 | 14.0 | 20.6 | 22.6 | 37.1 | 71.1 | 104.0 | 170.0 | 350.0 | |
| Cv-Value | gal/min | 1.9 | 4.4 | 5.0 | 7.8 | 13.4 | 16.2 | 23.9 | 26.3 | 43.2 | 82.9 | 121.3 | 198.3 | 408.4 | |

Dimensions in mm. Leakage rates will be provided on request

Check Valves

Type 05414 - Check Valve



Cryogenic-Check Valves

Stainless steel body and cap
with spring, opening pressure ca. 0.1 bar

Part No. 05414.0219.0001, PN20

Butt weld connection for stainless steel pipes acc. to ISO 1127 or ASTM A312

Part No. 05414.0219.0004, PN25

Socket weld connection for stainless steel pipes acc. to ISO 1127 or ASTM A312

Available options - on request only

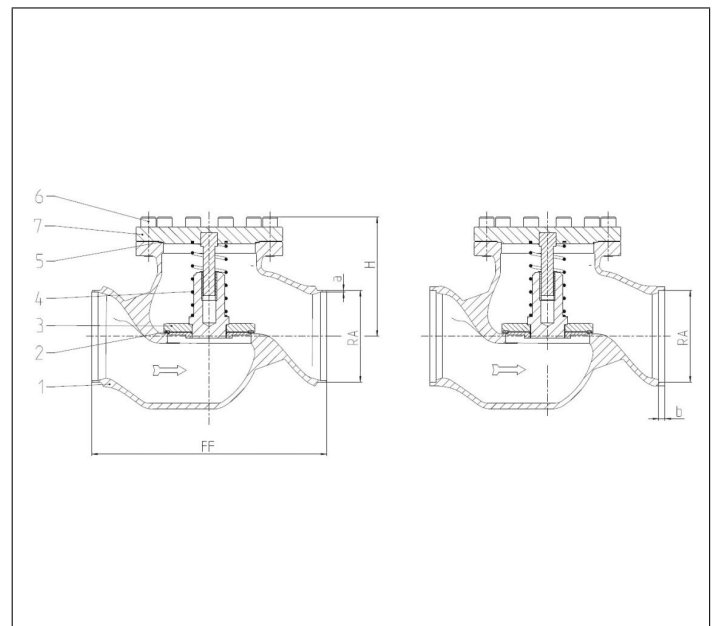


Applications:

Approved for air gases, vapours and cryogenic liquefied gases incl. LNG.

Working temperature: -196°C / -321°F (77K) up to +120°C / +248°F (393K)

| Materials | DIN EN | ASTM |
|-----------------|-----------|-------------------|
| 1 Body | 1.4308 | A 351 CF8 |
| 2 Valve seal | PTFE | |
| 3 Disc | 1.4301 | A 276 Grade 304 |
| 4 Spring | 1.4571 | A 313 Grade 316Ti |
| 5 Bonnet gasket | PTFE | |
| 6 Bolts | 1.4301/A2 | A 194 B8 |
| 7 Cap | 1.4301 | A 276 Grade 304 |



| Type 05414 - Standard design | Technical data | |
|-------------------------------|-------------------|-------------------------------|
| Nominal size | DN | 200 |
| Dimension code | .X. | 0219 |
| Face-to-face dimension | FF | 560 |
| Height | H | 285 |
| Outside pipe-Ø ISO 1127 | RA | 219.1 |
| Wall thickness pipe ISO 1127 | a | 6.3 |
| Outside pipe-Ø ASTM A312 | RA | 219.1 |
| Wall thickness pipe ASTM A312 | a | dimensions acc. to S10 or S40 |
| Socket depth | b | 15 |
| Weight | ca. kg | 111 |
| Kvs-Value | m ³ /h | 680 |
| Cv-Value | gal/min | 793 |

Dimensions in mm. Leakage rates will be provided on request

Fire Safe Valves

Type 05614 - Check Valve



"Fire Safe"-design without fire type-testing according to EN ISO 10497

Cryogenic-Check Valves, PN50 (DN150=PN40)

Stainless steel body and cap
with spring, opening pressure ca. 0.1 bar
"cleaned and degreased for oxygen service"

Part No. 05614.X.000*

Butt or Socket weld connection for stainless steel pipes acc. to ISO 1127 or ASTM A312
Disc seal: PTFE / Carbon filled (25%)

Available options - on request only:

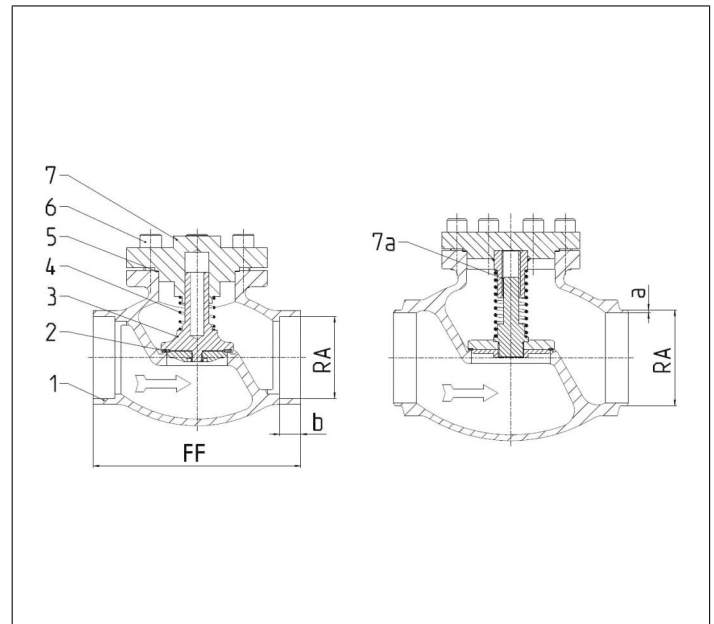
- Welded stainless steel stubs acc. to ISO 1127 or ASTM A312 - length FF + 200mm



Applications:

Approved for air gases, vapours and cryogenic liquefied gases incl. LNG.
Working temperature: -196°C / -321°F (77K) up to +120°C / +248°F (393K)

| Materials | DIN EN | ASTM |
|-------------------|----------------------------|-------------------|
| 1 Body | 1.4308 | A 351 CF8 |
| 2 Valve seal | PTFE / Carbon filled (25%) | |
| 3 Disc | 1.4301 | A 276 Grade 304 |
| 4 Spring | 1.4571 | A 313 Grade 316Ti |
| 5 Bonnet gasket | Graphite | |
| 6 Bolts | 1.4301/A2 | A 194 B8 |
| 7 Cap | 1.4301 | A 276 Grade 304 |
| 7a Bush from DN65 | PTFE | |



| Type 05614 - Standard design | Technical data | | | | | | | | | | | | | | |
|-------------------------------|-------------------|-------------------------------|-------|-------|-------|-------|------|-------|-------|-------|-------|-------|--------|--------|--|
| Nominal size | DN | 10 | 15 | 15 | 20 | 25 | 32 | 40 | 40 | 50 | 65 | 80 | 100 | 150 | |
| Dimension code | .X. | 1012 | 1517 | 1521 | 2026 | 2533 | 3238 | 4042 | 4048 | 5060 | 657x | 8088 | 0114 | 0168 | |
| Face-to-face dimension | FF | 70 | 85 | 85 | 100 | 115 | 115 | 130 | 130 | 155 | 205 | 245 | 280 | 400 | |
| Height | H | 71 | 71 | 71 | 72 | 75 | 87 | 95 | 95 | 95 | 125 | 150 | 185 | 214 | |
| Outside pipe-Ø ISO 1127 | RA | 12.0 | 17.2 | 21.3 | 26.9 | 33.7 | 38.0 | 42.4 | 48.3 | 60.3 | 76.1 | 88.9 | 114.3 | 168.3 | |
| Wall thickness pipe ISO 1127 | a | 1.0 | 1.6 | 2.0 | 2.0 | 2.0 | 2.0 | 2.0 | 2.0 | 2.0 | 2.9 | 3.2 | 6.0 | 7.1 | |
| Outside pipe-Ø ASTM A312 | RA | 13.72 | 17.15 | 21.34 | 26.67 | 33.40 | - | 42.16 | 48.26 | 60.33 | 73.03 | 88.90 | 114.30 | 168.30 | |
| Wall thickness pipe ASTM A312 | a | dimensions acc. to S10 or S40 | | | | | | | | | | | | | |
| Socket depth | b | 6 | 10 | 10 | 13 | 13 | - | 13 | 13 | 16 | 16 | 16 | 20 | 20 | |
| Weight | ca. kg | 0.7 | 0.95 | 1.0 | 1.3 | 1.6 | 2.4 | 3.9 | 3.9 | 5.7 | 9.6 | 14.6 | 20.0 | 50.0 | |
| Kvs-Value | m ³ /h | 1.6 | 3.8 | 4.3 | 6.7 | 11.5 | 14.0 | 20.6 | 22.6 | 37.1 | 71.1 | 104.0 | 170.0 | 350.0 | |
| Cv-Value | gal/mir | 1.9 | 4.4 | 5.0 | 7.8 | 13.4 | 16.2 | 23.9 | 26.3 | 43.2 | 82.9 | 121.3 | 198.3 | 408.4 | |

Dimensions in mm. Leakage rates will be provided on request

Offshore Valves

Type 05714 - Check Valve



Cryogenic-Check Valves, PN50 (DN150=PN40)

Stainless steel body and cap
with spring, opening pressure ca. 0.1 bar
"cleaned and degreased for oxygen service"

Part No. 05714.X.004*

Butt or Socket weld connection for stainless steel pipes acc. to ISO 1127 or ASTM A312
Disc seal: PTFE / Carbon filled (25%)

Part No. 05714.X.005*

Butt or Socket weld connection for stainless steel pipes acc. to ISO 1127 or ASTM A312
Disc seal: PTFE

Available options - on request only:

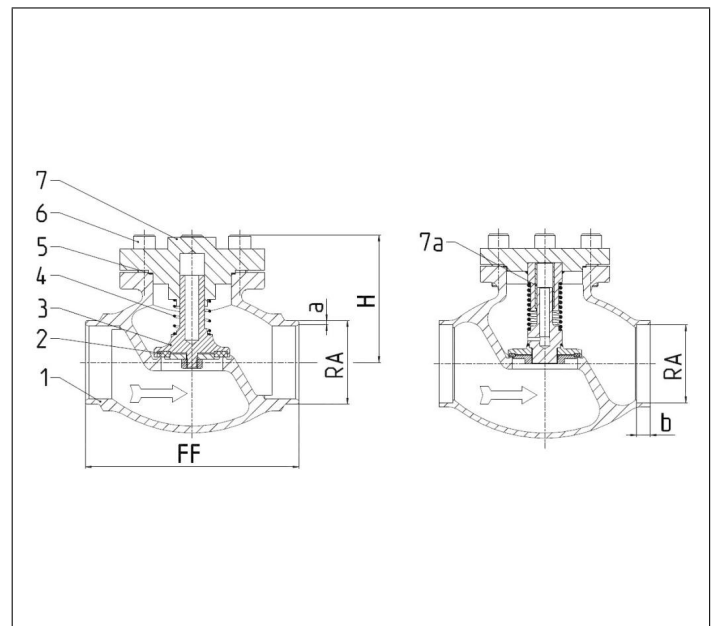
- Welded stainless steel stubs acc. to ISO 1127 or ASTM A312 - length FF + 200mm



Applications:

Approved for air gases, vapours and cryogenic liquefied gases incl. H₂ and LNG.
Working temperature: -255°C / -427°F (18K) up to +120°C / +248°F (393K)

| Materials | DIN EN | ASTM |
|-------------------------|----------------------------|-------------------|
| 1 Body | 1.4409 | A 351 CF3M |
| 2 Valve seal up to DN50 | PTFE / Carbon filled (25%) | |
| 2 Valve seal from DN65 | PTFE | |
| 3 Disc | 1.4404 | A 276 Grade 316L |
| 4 Spring | 1.4571 | A 313 Grade 316Ti |
| 5 Bonnet gasket | Graphite | |
| 6 Bolts | 1.4571/A4 | similar A 194 B8T |
| 7 Cap | 1.4404 | A 276 Grade 316L |
| 7a Bush from DN65 | PTFE | |



| Type 05714 - Standard design | Technical data | | | | | | | | | | | | | | |
|-------------------------------|-------------------|-------------------------------|-------|-------|-------|-------|------|-------|-------|-------|-------|-------|--------|--------|--|
| Nominal size | DN | 10 | 15 | 15 | 20 | 25 | 32 | 40 | 40 | 50 | 65 | 80 | 100 | 150 | |
| Dimension code | .X. | 1012 | 1517 | 1521 | 2026 | 2533 | 3238 | 4042 | 4048 | 5060 | 657x | 8088 | 0114 | 0168 | |
| Face-to-face dimension | FF | 70 | 85 | 85 | 100 | 115 | 115 | 130 | 130 | 155 | 205 | 245 | 280 | 400 | |
| Height | H | 71 | 71 | 71 | 72 | 75 | 87 | 95 | 95 | 95 | 125 | 150 | 185 | 214 | |
| Outside pipe-Ø ISO 1127 | RA | 12.0 | 17.2 | 21.3 | 26.9 | 33.7 | 38.0 | 42.4 | 48.3 | 60.3 | 76.1 | 88.9 | 114.3 | 168.3 | |
| Wall thickness pipe ISO 1127 | a | 1.0 | 1.6 | 2.0 | 2.0 | 2.0 | 2.0 | 2.0 | 2.0 | 2.0 | 2.9 | 3.2 | 6.0 | 7.1 | |
| Outside pipe-Ø ASTM A312 | RA | 13.72 | 17.15 | 21.34 | 26.67 | 33.40 | - | 42.16 | 48.26 | 60.33 | 73.03 | 88.90 | 114.30 | 168.30 | |
| Wall thickness pipe ASTM A312 | a | dimensions acc. to S10 or S40 | | | | | | | | | | | | | |
| Socket depth | b | 6 | 10 | 10 | 13 | 13 | - | 13 | 13 | 16 | 16 | 16 | 20 | 20 | |
| Weight | ca. kg | 0.7 | 0.95 | 1.0 | 1.3 | 1.6 | 2.4 | 3.9 | 3.9 | 5.7 | 9.6 | 14.6 | 20.0 | 50.0 | |
| Kvs-Value | m ³ /h | 1.6 | 3.8 | 4.3 | 6.7 | 11.5 | 14.0 | 20.6 | 22.6 | 37.1 | 71.1 | 104.0 | 170.0 | 350.0 | |
| Cv-Value | gal/mir | 1.9 | 4.4 | 5.0 | 7.8 | 13.4 | 16.2 | 23.9 | 26.3 | 43.2 | 82.9 | 121.3 | 198.3 | 408.4 | |

Dimensions in mm. Leakage rates will be provided on request

Check Valves

Type 05419 - Check Valve, ASME B16.5 Flanges

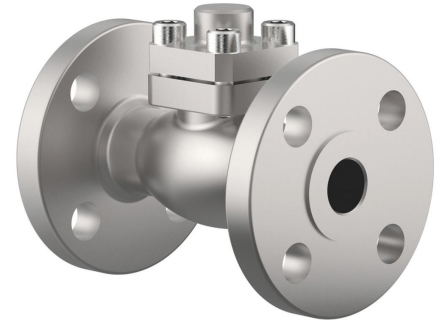


Cryogenic-Check Valves, class 150

Stainless steel body and cap
with spring, opening pressure ca. 0.1 bar
"cleaned and degreased for oxygen service"

Part No. 05419.X.0001

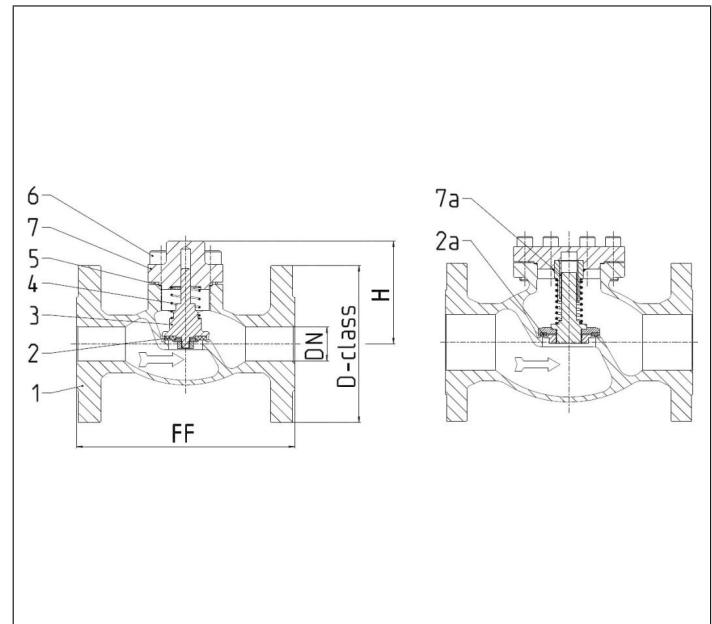
Flanged connection acc. to ASME B16.5 class 150



Applications:

Approved for air gases, vapours and cryogenic liquefied gases incl. LNG.
Working temperature: -196°C / -321°F (77K) up to +120°C / +248°F (393K)

| Materials | DIN EN | ASTM |
|-------------------------|----------------------------|-------------------|
| 1 Body | 1.4308 | A 351 CF8 |
| 2 Valve seal up to DN50 | PTFE / Carbon filled (25%) | |
| 2a Valve seal from DN65 | PTFE | |
| 3 Disc | 1.4301 | A 276 Grade 304 |
| 4 Spring | 1.4571 | A 313 Grade 316Ti |
| 5 Bonnet gasket | PTFE | |
| 6 Bolts | 1.4301/A2 | A 194 B8 |
| 7 Cap | 1.4301 | A 276 Grade 304 |
| 7a Bush from DN65 | PTFE | |



| Type 05419 - Standard design | Technical data | | | | | | | | | |
|--|-------------------|------|------|------|------|------|------|-------|-------|-------|
| Nominal size | DN | 15 | 20 | 25 | 40 | 50 | 65 | 80 | 100 | 150 |
| Dimension code - Flange ASME B16.5 class 150 | .X. | 0400 | 0600 | 1000 | 1400 | 2000 | 2400 | 3000 | 4000 | 6000 |
| Flange-Ø | D-class | 90 | 100 | 110 | 125 | 150 | 180 | 190 | 230 | 280 |
| Face-to-face dimension | FF | 140 | 150 | 160 | 200 | 230 | 290 | 310 | 350 | 577 |
| Height | H | 70 | 75 | 75 | 95 | 90 | 125 | 150 | 165 | 215 |
| Weight | ca. kg | 2.9 | 3.4 | 4.4 | 6.4 | 11.6 | 19.2 | 25.2 | 39.8 | 81.5 |
| Kvs-Value | m ³ /h | 4.3 | 6.7 | 11.5 | 22.6 | 37.1 | 71.1 | 104.0 | 170.0 | 350.0 |
| Cv-Value | gal/min | 5.0 | 7.8 | 13.4 | 26.3 | 43.2 | 82.9 | 121.3 | 198.3 | 408.4 |

Dimensions in mm. Leakage rates will be provided on request

Check Valves

Type 05419 - Check Valve, ASME B16.5 Flanges

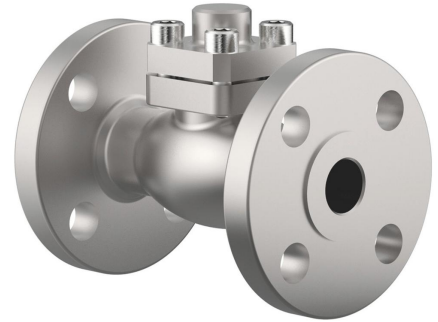


Cryogenic-Check Valves, class 300

Stainless steel body and cap
with spring, opening pressure ca. 0.1 bar
"cleaned and degreased for oxygen service"

Part No. 05419.X.0003

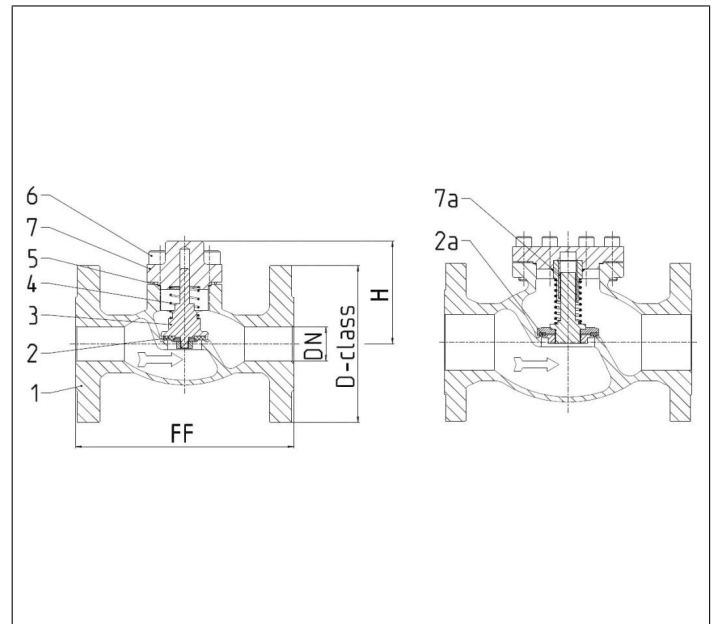
Flanged connection acc. to ASME B16.5 class 300



Applications:

Approved for air gases, vapours and cryogenic liquefied gases incl. LNG.
Working temperature: -196°C / -321°F (77K) up to +120°C / +248°F (393K)

| Materials | DIN EN | ASTM |
|-------------------------|----------------------------|-------------------|
| 1 Body | 1.4308 | A 351 CF8 |
| 2 Valve seal up to DN50 | PTFE / Carbon filled (25%) | |
| 2a Valve seal from DN65 | PTFE | |
| 3 Disc | 1.4301 | A 276 Grade 304 |
| 4 Spring | 1.4571 | A 313 Grade 316Ti |
| 5 Bonnet gasket | PTFE | |
| 6 Bolts | 1.4301/A2 | A 194 B8 |
| 7 Cap | 1.4301 | A 276 Grade 304 |
| 7a Bush from DN65 | PTFE | |



| Type 05419 - Standard design | Technical data | | | | | | | | | |
|--|-------------------|------|------|------|------|------|------|-------|-------|-------|
| Nominal size | DN | 15 | 20 | 25 | 40 | 50 | 65 | 80 | 100 | 150 |
| Dimension code - Flange ASME B16.5 class 300 | .X. | 0400 | 0600 | 1000 | 1400 | 2000 | 2400 | 3000 | 4000 | 6000 |
| Flange-Ø | D-class | 95 | 115 | 125 | 155 | 165 | 190 | 210 | 255 | 320 |
| Face-to-face dimension | FF | 140 | 150 | 160 | 200 | 230 | 290 | 310 | 350 | 597 |
| Height | H | 70 | 75 | 75 | 95 | 90 | 125 | 150 | 165 | 215 |
| Weight | ca. kg | 2.9 | 3.4 | 4.4 | 6.4 | 11.6 | 19.2 | 25.2 | 39.8 | 90.3 |
| Kvs-Value | m ³ /h | 4.3 | 6.7 | 11.5 | 22.6 | 37.1 | 71.1 | 104.0 | 170.0 | 350.0 |
| Cv-Value | gal/min | 5.0 | 7.8 | 13.4 | 26.3 | 43.2 | 82.9 | 121.3 | 198.3 | 408.4 |

Dimensions in mm. Leakage rates will be provided on request

Check Valves

Type 05419 - Check Valve, DIN EN Flanges

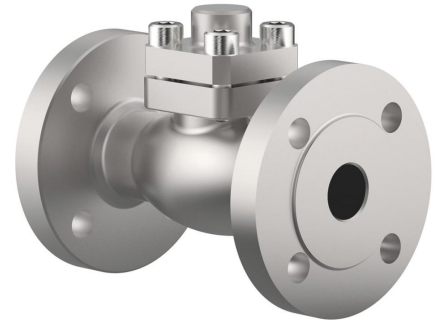


Cryogenic-Check Valves, PN40

Stainless steel body and cap
with spring, opening pressure ca. 0.1 bar
"cleaned and degreased for oxygen service"

Part No. 05419.X.0002

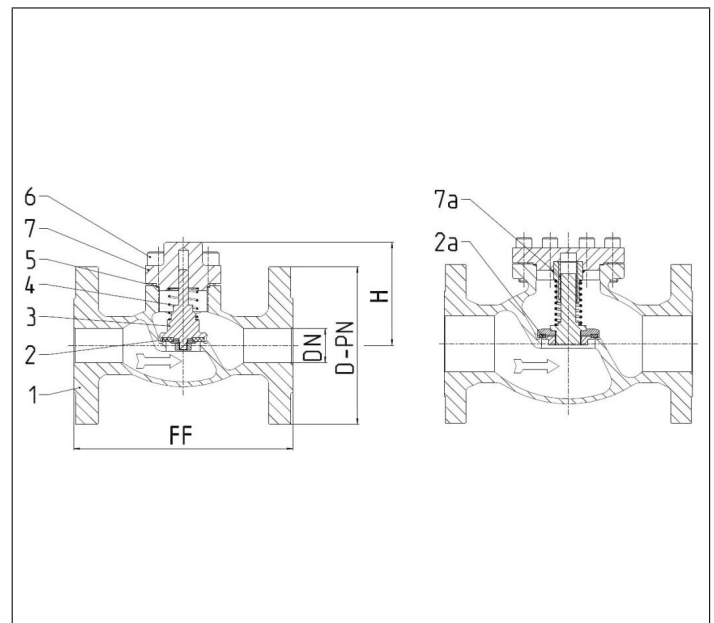
Flanged connection acc. to DIN EN 1092-1 PN40



Applications:

Approved for air gases, vapours and cryogenic liquefied gases incl. LNG.
Working temperature: -196°C / -321°F (77K) up to +120°C / +248°F (393K)

| Materials | DIN EN | ASTM |
|-------------------------|----------------------------|-------------------|
| 1 Body | 1.4308 | A 351 CF8 |
| 2 Valve seal up to DN50 | PTFE / Carbon filled (25%) | |
| 2a Valve seal from DN65 | PTFE | |
| 3 Disc | 1.4301 | A 276 Grade 304 |
| 4 Spring | 1.4571 | A 313 Grade 316Ti |
| 5 Bonnet gasket | PTFE | |
| 6 Bolts | 1.4301/A2 | A 194 B8 |
| 7 Cap | 1.4301 | A 276 Grade 304 |
| 7a Bush from DN65 | PTFE | |



| Type 05419 - Standard design | Technical data | | | | | | | | | |
|--|-------------------|------|------|------|------|------|------|-------|-------|-------|
| Nominal size | DN | 15 | 20 | 25 | 40 | 50 | 65 | 80 | 100 | 150 |
| Dimension code - Flange EN 1092-1 PN40 | .X. | 0150 | 0200 | 0250 | 0400 | 0500 | 0650 | 0800 | 1000 | 1500 |
| Flange-Ø | D-PN | 95 | 105 | 115 | 150 | 165 | 185 | 200 | 235 | 300 |
| Face-to-face dimension | FF | 140 | 150 | 160 | 200 | 230 | 290 | 310 | 350 | 550 |
| Height | H | 70 | 75 | 75 | 95 | 90 | 125 | 150 | 165 | 215 |
| Weight | ca. kg | 2.9 | 3.4 | 4.4 | 6.4 | 11.6 | 19.2 | 25.2 | 39.8 | 72.7 |
| Kvs-Value | m ³ /h | 4.3 | 6.7 | 11.5 | 22.6 | 37.1 | 71.1 | 104.0 | 170.0 | 350.0 |
| Cv-Value | gal/min | 5.0 | 7.8 | 13.4 | 26.3 | 43.2 | 82.9 | 121.3 | 198.3 | 408.4 |

Dimensions in mm. Leakage rates will be provided on request