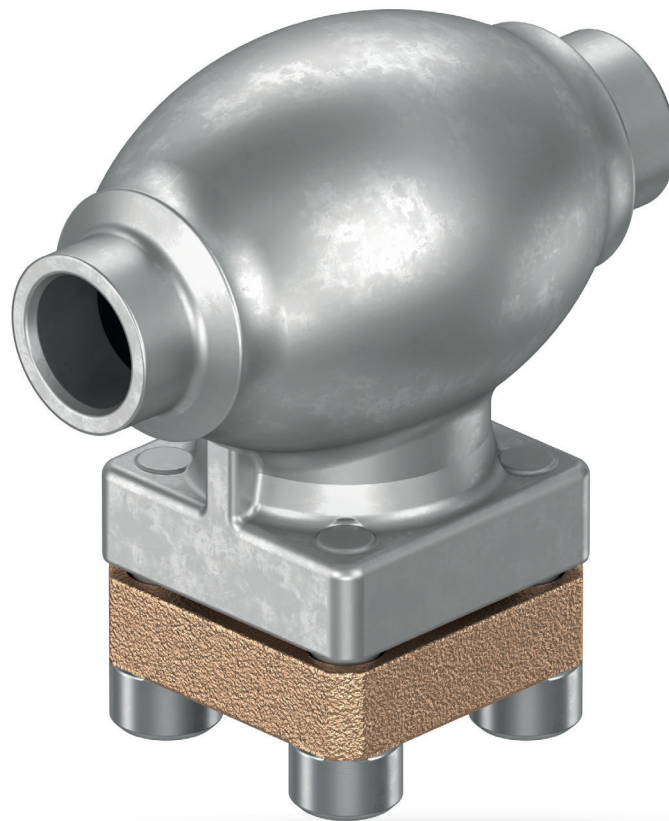


Stainless Steel Bodied Strainers

Data Sheet



Type	Connection	Size	Links to data below
08415	Threaded	10mm - 50mm / 1/4" - 2"	VIEW HERE →
08414	SE - BW	10mm - 150mm / 3/8" - 6"	VIEW HERE →
08432	Flanged PN 16-40	15mm - 150mm / 1/2" - 6"	VIEW HERE →
08432	Flanged ANSI 150	15mm - 150mm / 1/2" - 6"	VIEW HERE →
08432	Flanged ANSI 300	15mm - 150mm / 1/2" - 6"	VIEW HERE →

Strainers

Type 08415 - Strainer



Cryogenic-Strainer, PN50

Stainless steel body and bronze cap
with strainer screen mesh size 0.25 mm
"cleaned and degreased for oxygen service"

Part No. 08415.X.0001

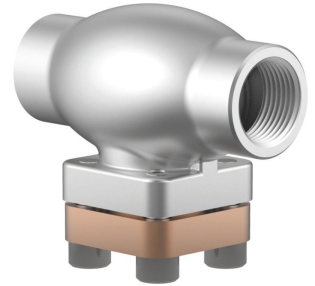
Female thread connection (G) acc. to ISO 228/1

Part No. 08415.X.0006

Female thread connection NPT acc. to ANSI B 1.20.1

Available options - on request only:

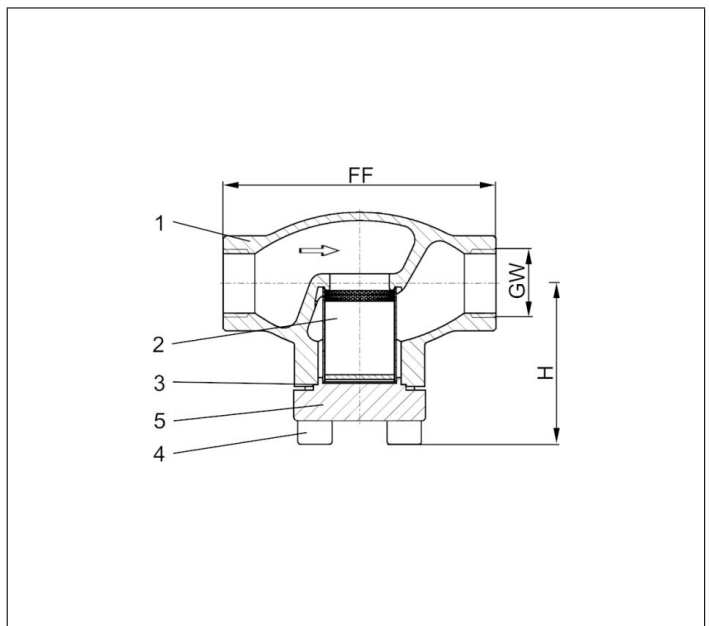
- Female thread connection (R) acc. to ISO 7-Rc
- other mesh sizes for strainer screen (changed flow coefficient)
- strainer screen in bronze or monel
- sintered filter in bronze or stainless steel in various porosities



Applications:

Approved for air gases, vapours and cryogenic liquefied gases incl. LNG.
Working temperature: -196°C / -321°F (77K) up to +120°C / +248°F (393K)

Materials	DIN EN	ASTM
1 Body	1.4308	A 351 CF8
2 Sieb	1.4301	A 240 Grade 304
3 Bonnet gasket	PTFE	
4 Capschrauben	1.4301/A2	A 194 B8
5 Cap	CC493K	B 505 UNS C93200



Type 08415 - Standard design	Technical data								
Nominal size	DN	10	10	15	20	25	40	40	50
Thread size	GW	1/4	3/8	1/2	3/4	1	1-1/4	1-1/2	2
Dimension code	.X.	0200	0300	0400	0600	1000	1200	1400	2000
Face-to-face dimension	FF	70	70	85	100	115	130	130	155
Height	H	62	62	62	65	69	89	89	89
Weight	ca. kg	0.6	0.6	0.8	0.9	1.2	3.1	3.1	4.7
Kvs-Value	m ³ /h	1.5	1.5	3.4	6.5	9.5	19.0	21.0	28.0
Cv-Value	gal/min	1.7	1.7	3.9	7.5	11.0	22.0	24.3	32.4

Dimensions in mm.

Strainers

Type 08414 - Strainer



Cryogenic-Strainer, PN50 (DN150=PN40)

Stainless steel body and bronze cap
with strainer screen mesh size 0.25 mm
"cleaned and degreased for oxygen service"

Part No. 08414.X.000*

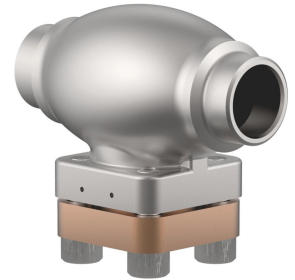
* Butt weld connection for stainless steel pipes acc. to ISO 1127 or ASTM A312

Part No. 08414.X.0004

Socket weld connection for stainless steel pipes acc. to ISO 1127 or ASTM A312

Available options - on request only:

- Welded stainless steel stubs acc. to ISO 1127 or ASTM A312 - length FF + 200mm
- other mesh sizes for strainer screen (changed flow coefficient)
- strainer screen in bronze or monel
- sintered filter in bronze or stainless steel in various porosities

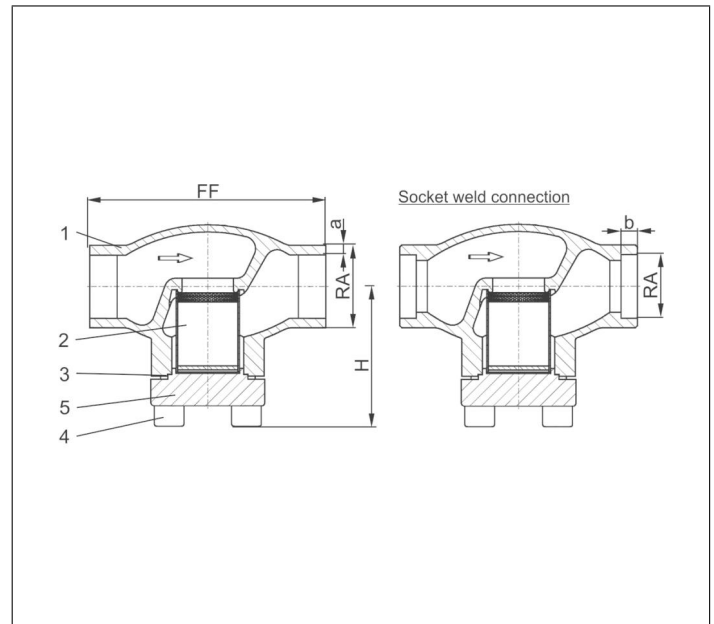


Applications:

Approved for air gases, vapours and cryogenic liquefied gases incl. LNG.

Working temperature: -196°C / -321°F (77K) up to +120°C / +248°F (393K)

Materials	DIN EN	ASTM
1 Body	1.4308	A 351 CF8
2 Strainer screen	1.4301	A 240 Grade 304
3 Bonnet gasket	PTFE	
4 Bolts	1.4301/A2	A 194 B8
5 Cap	CC493K	B 505 UNS C93200



Type 08414 - Standard design	Technical data														
Nominal size	DN	10	15	15	20	25	32	40	40	50	65	80	100	150	
Dimension code	.X.	1012	1517	1521	2026	2533	3238	4042	4048	5060	657x	8088	0114	0168	
Face-to-face dimension	FF	70	85	85	100	115	115	130	130	155	205	245	280	400	
Height	H	62	62	62	65	69	76	89	89	89	125	150	166	215	
Outside pipe-Ø ISO 1127	RA	12.0	17.2	21.3	26.9	33.7	38.0	42.4	48.3	60.3	76.1	88.9	114.3	168.3	
Wall thickness pipe ISO 1127	a	1.0	1.6	2.0	2.0	2.0	2.0	2.0	2.0	2.0	2.9	3.2	6.0	7.1	
Outside pipe-Ø ASTM A312	RA	13.72	17.15	21.34	26.67	33.40	-	42.16	48.26	60.33	73.03	88.90	114.3	168.3	
Wall thickness pipe ASTM A312	a	dimensions acc. to S10 or S40													
Socket depth	b	6	10	10	13	13	-	13	13	16	16	16	20	20	
Weight	ca. kg	0.6	0.75	0.8	0.9	1.2	1.8	3.1	3.1	4.7	8.9	13.6	18.0	48.0	
Kvs-Value	m ³ /h	1.5	3.4	3.4	6.5	9.5	14.0	19.0	21.0	28.0	62.0	90.0	118.0	300.0	
Cv-Value	gal/mii	1.7	3.9	3.9	7.5	11.0	16.2	22.0	24.3	32.4	72.3	105.0	137.7	350.1	

Dimensions in mm.

Strainers

Type 08432 - Strainer, DIN EN Flanges



Cryogenic-Strainer, PN40

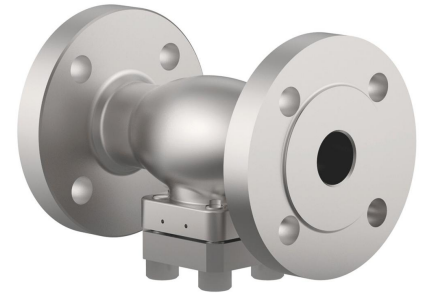
Stainless steel body and cap
with strainer screen mesh size 0.25 mm
"cleaned and degreased for oxygen service"

Part No. 08432.X.0002

Flanged connection acc. to DIN EN 1092-1 PN40

Available options - on request only:

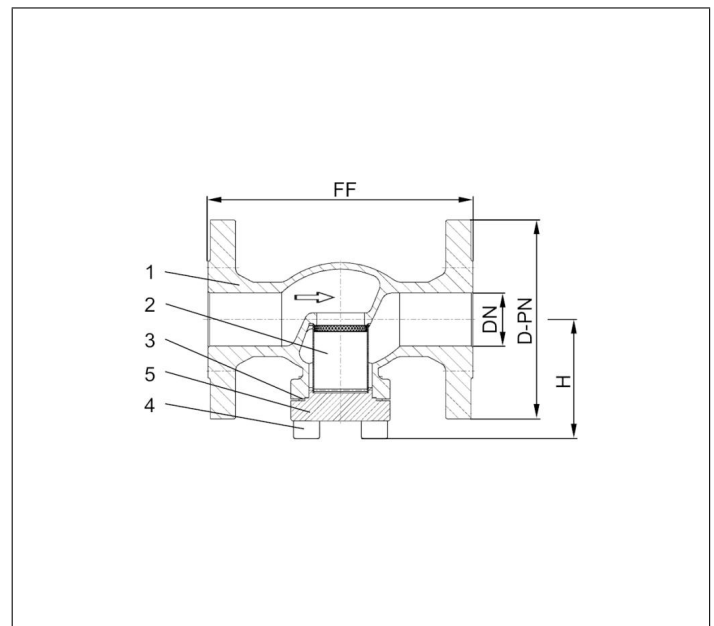
- other mesh sizes for strainer screen (changed flow coefficient)
- strainer screen in bronze or monel
- sintered filter in bronze or stainless steel in various porosities



Applications:

Approved for air gases, vapours and cryogenic liquefied gases incl. LNG.
Working temperature: -196°C / -321°F (77K) up to +120°C / +248°F (393K)

Materials	DIN EN	ASTM
1 Body	1.4308	A 351 CF8
2 Strainer screen	1.4301	A 240 Grade 304
3 Bonnet gasket	PTFE	
4 Bolts	1.4301/A2	A 194 B8
5 Cap	1.4301	A 276 Grade 304



Type 08432 - Standard design	Technical data									
Nominal size	DN	15	20	25	40	50	65	80	100	150
Dimension code - Flange EN 1092-1 PN40	.X.	0150	0200	0250	0400	0500	0650	0800	1000	1500
Flange-Ø	D-PN	95	105	115	150	165	185	200	235	300
Face-to-face dimension	FF	140	150	160	200	230	290	310	350	550
Height	H	62	69	69	89	89	125	150	166	212
Weight	ca. kg	2.5	3.0	4.0	5.6	10.6	17.7	23.2	36.8	68.1
Kvs-Value	m ³ /h	4.3	6.7	9.5	21.0	28.0	62.0	90.0	118.0	on request
Cv-Value	gal/min	5.0	7.8	11.0	24.3	32.4	72.3	105.0	137.7	on request

Dimensions in mm.

Schmutzfänger

Typ 08432 - Schmutzfänger, ASME B16.5 Flansche



Tieftemperatur-Schmutzfänger, class 150

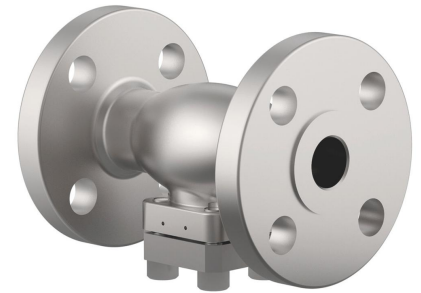
Gehäuse und aufgeflanschter Deckel aus Edelstahl
mit Sieb Maschenweite 0,25 mm
"öl- und fettfrei für Sauerstoff"

Artikel-Nr. 08432.X.0001

Flanschanschluss nach ASME B16.5 class 150

Verfügbare Sonderausführungen - nur auf Anfrage:

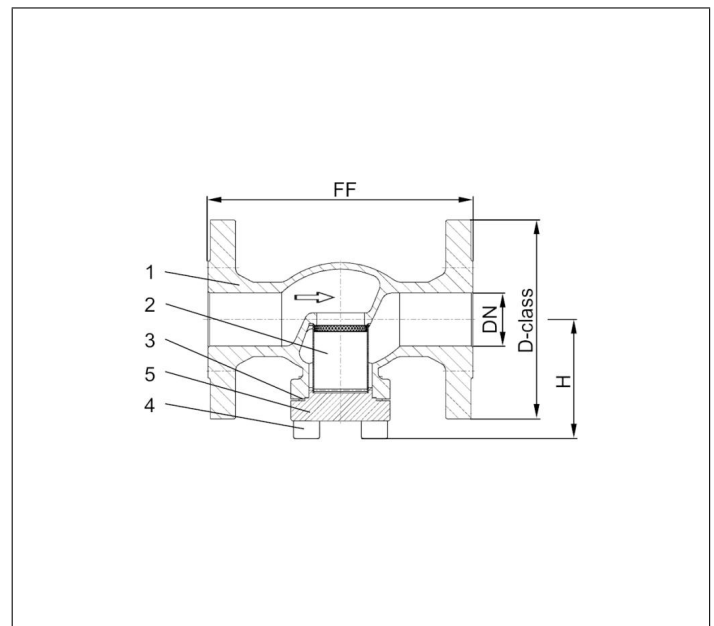
- andere Maschenweiten Sieb (veränderte Durchflusswerte)
- Sieb aus Bronze oder Monel
- Sinterfilter aus Bronze oder Edelstahl in verschiedenen Porositäten



Verwendungsbereich:

Zugelassen für Luftgase, Dämpfe und tiefkalte verflüssigte Gase inkl. LNG.
Zulässige Betriebstemperaturen: -196°C (77K) bis +120°C (393K)

Werkstoffe	DIN EN	ASTM
1 Gehäuse	1.4308	A 351 CF8
2 Sieb	1.4301	A 240 Grade 304
3 Oberteildichtung	PTFE	
4 Deckelschrauben	1.4301/A2	A 194 B8
5 Deckel	1.4301	A 276 Grade 304



Typ 08432 - Standardausführung Technische Daten										
Nenngröße	DN	15	20	25	40	50	65	80	100	150
Größenschlüssel - Flansch ASME B16.5 class 150	.X.	0400	0600	1000	1400	2000	2400	3000	4000	6000
Flanschdurchmesser	D-class	90	100	110	125	150	180	190	230	280
Baulänge	FF	140	150	160	200	230	290	310	350	577
Höhe	H	62	69	69	89	89	125	150	166	212
Gewicht	ca. kg	2,5	3,0	4,0	5,6	10,6	17,7	23,2	36,8	76,9
Kvs - Wert	m ³ /h	4,3	6,7	9,5	21,0	28,0	62,0	90,0	118,0	auf Anfrage
Cv - Wert	gal/min	5,0	7,8	11,0	24,3	32,4	72,3	105,0	137,7	auf Anfrage

Abmessungen in mm.

Strainers

Type 08432 - Strainer, ASME B16.5 Flanges



Cryogenic-Strainer, class 300

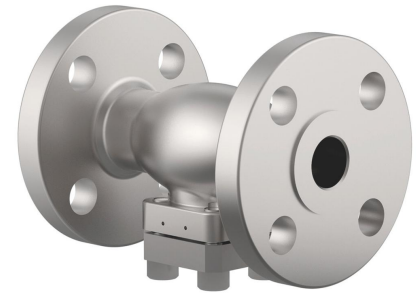
Stainless steel body and cap
with strainer screen mesh size 0.25 mm
"cleaned and degreased for oxygen service"

Part No. 08432.X.0003

Flanged connection acc. to ASME B16.5 class 300

Available options - on request only:

- other mesh sizes for strainer screen (changed flow coefficient)
- strainer screen in bronze or monel
- sintered filter in bronze or stainless steel in various porosities

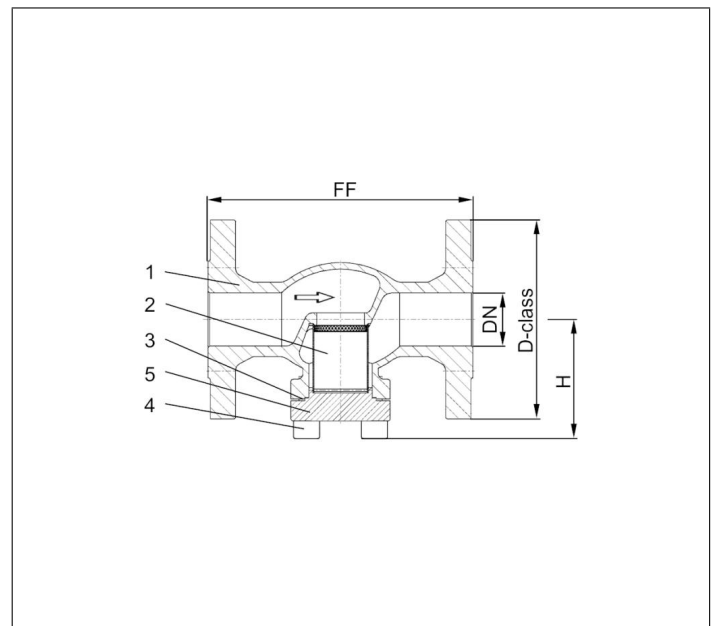


Applications:

Approved for air gases, vapours and cryogenic liquefied gases incl. LNG.

Working temperature: -196°C / -321°F (77K) up to +120°C / +248°F (393K)

Materials	DIN EN	ASTM
1 Body	1.4308	A 351 CF8
2 Strainer screen	1.4301	A 240 Grade 304
3 Bonnet gasket	PTFE	
4 Bolts	1.4301/A2	A 194 B8
5 Cap	1.4301	A 276 Grade 304



Type 08432 - Standard design	Technical data									
Nominal size	DN	15	20	25	40	50	65	80	100	150
Dimension code - Flange ASME B16.5 class 300	.X.	0400	0600	1000	1400	2000	2400	3000	4000	6000
Flange-Ø	D-class	95	115	125	155	165	190	210	255	320
Face-to-face dimension	FF	140	150	160	200	230	290	310	350	597
Height	H	62	69	69	89	89	125	150	166	212
Weight	ca. kg	2.5	3.0	4.0	5.6	10.6	17.7	23.2	36.8	85.7
Kvs-Value	m ³ /h	4.3	6.7	9.5	21.0	28.0	62.0	90.0	118.0	on request
Cv-Value	gal/min	5.0	7.8	11.0	24.3	32.4	72.3	105.0	137.7	on request

Dimensions in mm.