

# Valves for Cryogenic Service

## Type 08431 - Strainer

### Cryogenic-Strainer, PN50

Stainless steel body and bronze cap  
with strainer screen mesh size 0.25 mm  
" cleaned and degreased for oxygen service "

#### Part No. 08431.X.0002

Flanged connection acc. to DIN EN 1092-1 PN40

#### Part No. 08431.X.0003

Flanged connection acc. to ANSI B16.5 class 300

#### Available options - on request only:

- other mesh sizes for strainer screen
- strainer screen item 2 in bronze

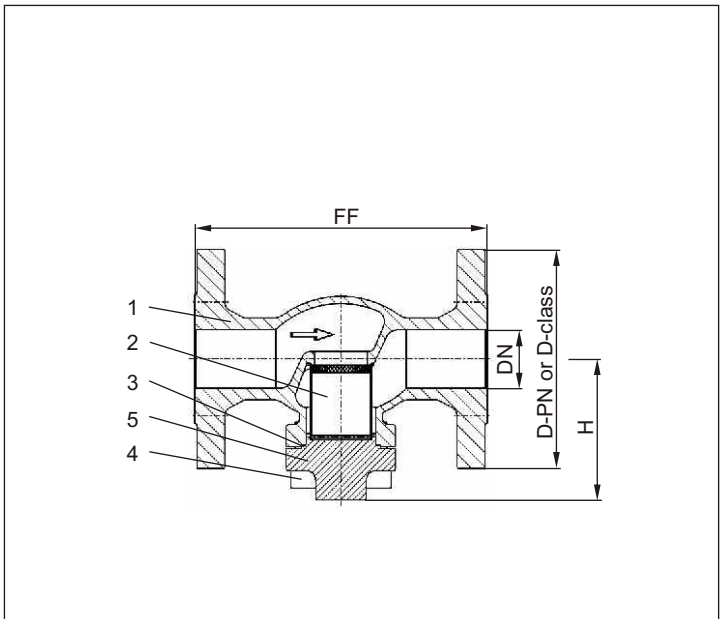


### Applications:

Suitable for air gases and cryogenic liquefied gases such as oxygen, nitrogen, krypton, carbon dioxide, argon, dinitrogen monoxide, trifluoromethan, carbon oxide, methane, ethane and ethylene.

Working temperature: -196°C / -321°F (77K) up to +120°C / +248°F (393K)

Materials	DIN EN	ASTM
1 Body	1.4308	A 351 CF8
2 Strainer screen	1.4301	A 240 Grade 304
3 Bonnet gasket	PTFE	
4 Bolts	1.4301/A2	A 194 B8
5 Cap	CC493K	B 505 UNS C93200



Standard marking acc. to Pressure Equipment Directive 97/23/EG (PED).



Marking acc. to Directive 99/36/EG (TPED) will only be carried out by written notice on purchase order.



Type 08431 – Standard design	Technical data						
Nominal size	DN	25	40	50	65	80	100
Dimension code - Flange EN 1092-1 PN40	.X.	0250	0400	0500	0650	0800	1000
Flange-Ø	D-PN	115	150	165	185	200	235
Dimension code - Flange ANSI B16.5 class 300	.X.	1000	1400	2000	2400	3000	4000
Flange-Ø	D-class	123.9	155.4	165	190.5	209.5	254
Face-to-face dimension	FF	160	200	230	290	310	350
Height	H	75	95	90	125	150	165
Weight	ca. kg	4.0	5.6	10.6	17.7	23.2	36.8
Kvs – Value	m <sup>3</sup> /h	11.5	22.6	37.1	71.1	104.0	t.b.c.
Cv – Value	gal /min	13.4	26.3	43.2	82.7	120.9	t.b.c.

Dimensions in mm.