

Divertor and Changeover Valves

Type 06401 - Changeover Valve DN15

HEROSE



Cryogenic Changeover Valves, stainless steel, PN125

for the installation of two Safety Valves,
with two test connections G 1/4,
“ cleaned and degreased for oxygen service “

Part No. 06401.0150.0000

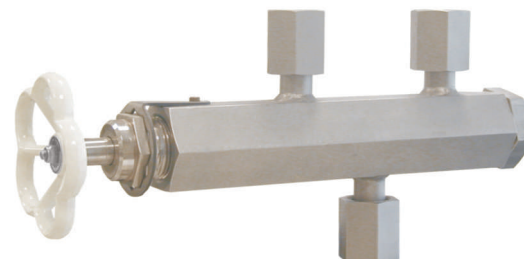
In- and Outlet: locking sleeve G 3/4

Part No. 06401.0150.9***

*** Changeover Valves with other threads for
Vessel or safety valve connection on request

Available options - on request only:

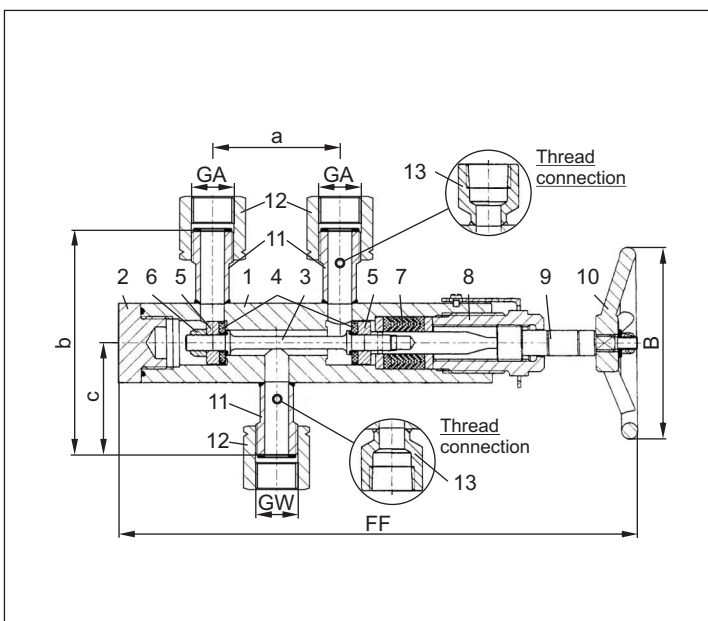
- Changeover valves with pneumatic or electric actuator
- Inlet GW and/or outlet GA with female thread (G) acc. to ISO 228/1
- Inlet GW and/or outlet GA with female thread NPT acc. to ANSI B 1.20.1
- Combination of different thread connections GW - GA



Applications:

Approved for air gases, vapours and cryogenic liquefied gases incl. LNG.
Working temperature: -196°C / -321°F (77K) up to +185°C / +365°F (458K)

Materials	DIN EN	ASTM
1 Body	1.4571	A 276 Grade 316Ti
2 Plug	1.4571	A 276 Grade 316Ti
3 Disc stem	1.4571	A 276 Grade 316Ti
4 Valve seal	PTFE / Carbon filled (25%)	
5 Disc	1.4571	A 276 Grade 316Ti
6 Disc nut	1.4301/A2	A 194 B8
7 Gland packing	PTFE / Carbon filled (25%)	
8 Head piece	CW452K nickel plated	B 103 UNS C51900 nickel plated
9 Stem	1.4571	A 276 Grade 316Ti
10 Handwheel	Aluminium alloy	
11 Welding piece	1.4571	A 276 Grade 316Ti
12 Locking sleeve	1.4571	A 276 Grade 316Ti
13 Thread connection	1.4571	A 276 Grade 316Ti



Type 06401 – Standard design	Technical data	
Nominal size	DN	15
Inlet	GW	G 3/4 LH
Outlet	GA	G 3/4 LH
Face-to-face dimension	FF	325
Handwheel-Ø	B	120
Length	a	80
Height	b	140
Length	c	70
Weight	ca. kg	5.0
Kvs – Value, one side open	m ³ /h	4.0
Cv – Value, one side open	gal /min	4.6
Kvs – Value, central position	m ³ /h	5.8
Cv – Value, central position	gal /min	6.7

Dimensions in mm.