

# Valves for Cryogenic Service

## Type 01343 - Actuated Control Valve



### Cryogenic-Control Valves with Pneumatic Actuator, PN50

Control characteristic: linear or equal percentage

Stainless steel body and topwork

Actuator - air opens, spring closes or contrary

"live loaded" gland packing

"cleaned and degreased for oxygen service" - the actuator is not cleaned and degreased for oxygen

#### Part No. 01343.X.061\*

\*Butt weld connection for stainless steel pipes acc. to DIN EN ISO 1127 or ASTM A312

#### Part No. 01343.X.0614

Socket weld connection for stainless steel pipes acc. to DIN EN ISO 1127 and ASTM A312

#### Available accessories:

- Solenoid valve,
- Limit switch
- Electropneumatic positioner etc.

#### Available options - on request only:

- Welded stainless steel stubs acc. to DIN EN ISO 1127 or ASTM A312 - length FF + 150mm
- Electric actuator
- Bellow sealed option

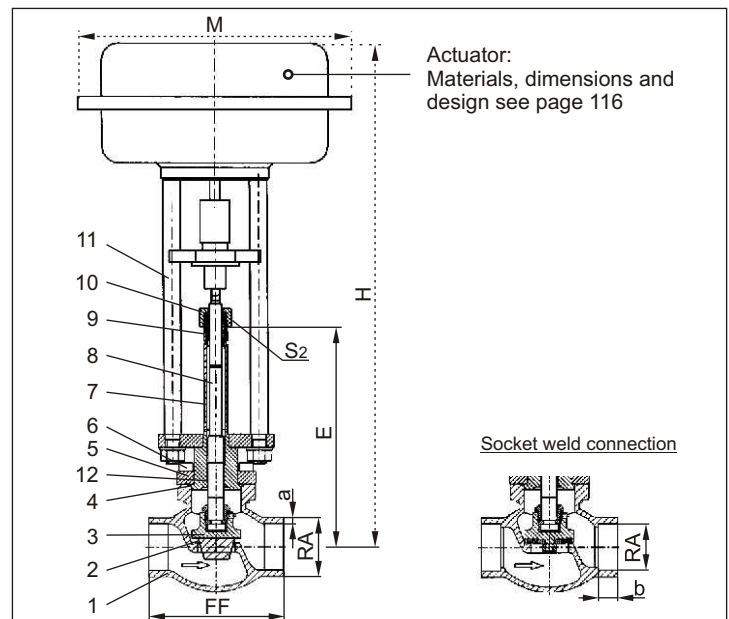
#### Applications:

Approved for air gases and cryogenic liquefied gases such as oxygen, nitrogen, krypton, carbon dioxide, argon, dinitrogen monoxide, trifluoromethan, carbon oxide, methane, ethane and ethylene.

Working temperature: -196°C / -321°F (77K) up to +120°C / +248°F (393K)



Materials	DIN EN	ASTM
1 Body	1.4308	A 351 CF8
2 Valve seal	PTFE / Carbon filled (25%)	
3 Disc	1.4301	A 276 Grade 304
4 Bonnet gasket	PTFE	
5 Headpiece	1.4301	A 276 Grade 304
6 Bolts	1.4301/A2	A 194 B8
7 Elongation tube	1.4541	A 213 TP 321
8 Stem	1.4301	A 276 Grade 304
9 Gland packing	Graphite / PTFE	
10 Gland nut	1.4305	A 276 Grade 303
11 Pillars	1.4301	A 276 Grade 304
12 Bush	CW452K	B 103 UNS C51900



Standard marking acc. to Pressure Equipment Directive 97/23/EG (PED).



Type 01343 - Control Valve	Technical data						
Nominal size	DN	15	20	25	32	40	50
Dimension code	.X.	1521	2026	2533	3238	4048	5060
Face-to-face dimension	FF	85	100	115	115	130	155
Height	H	dependent on actuator					
Length	E	195	200	200	230	230	235
Outside pipe-Ø DIN EN ISO 1127	RA	21.3	26.9	33.7	38.0	48.3	60.3
Wall thickness pipe DIN EN ISO 1127	a	2.0	2.0	2.0	2.0	2.0	2.0
Outside pipe-Ø ASTM A312	RA	21.34	26.67	33.40	-	48.26	60.33
Wall thickness pipe ASTM A312	a	S10	S10	S10	-	S10	S10
Socket depth	b	10	13	13	-	13	16
Actuator-Ø	M	dependent on actuator					
Weight w/o actuator	ca. kg	2.2	2.4	3.1	3.8	6.5	9.0
Kvs – Value linear disc	m <sup>3</sup> /h	3.5	6	10	14	19	30
Kvs – Values equal percentage disc	m <sup>3</sup> /h	3.5	4/6	2.5/4.5/6.3/10	10/14	10/19	10/16/25/30
Cv – Value linear disc	gal /min	4.1	7	11.6	16.3	22.1	34.9
Cv – Values equal percentage disc	gal /min	4.1	4.7/7	2.9/5.2/7.3/11.6	11.6/16.3	11.6/22.1	11.6/18.6/29.1/34.9

Dimensions in mm.

Edition 05-2006